

FALSE ISLAND INDUSTRIAL FACILITY	
MODIFY EXISTING PERMIT TO INCORPORATE NEW COLD STORAGE FACILITY DOCK AND OUTFALL	
APPLICANT: CITY OF CRAIG P.O. BOX 725 CRAIG, AK 99921	AGENT: R&M ENGINEERING—KETCHIKAN 355 CARLANNA LAKE ROAD KETCHIKAN, AK 99901
DATE: 10/14/08 SHEET 5 OF 6	LOCATION: CITY OF CRAIG WATER BODY: KLAWOCK INLET

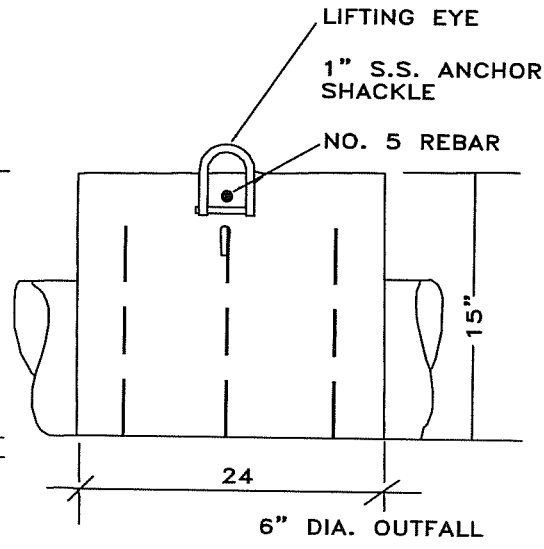
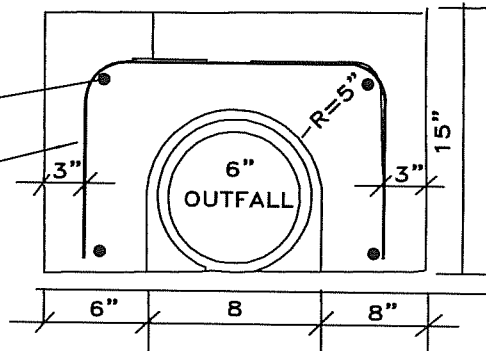
LIFTING EYE

PRE-CAST
CONCRETE
PIPE ANCHOR

NO. 4 REBAR
(TYPICAL)

NO. 5 REBAR
AT 5" O.C.

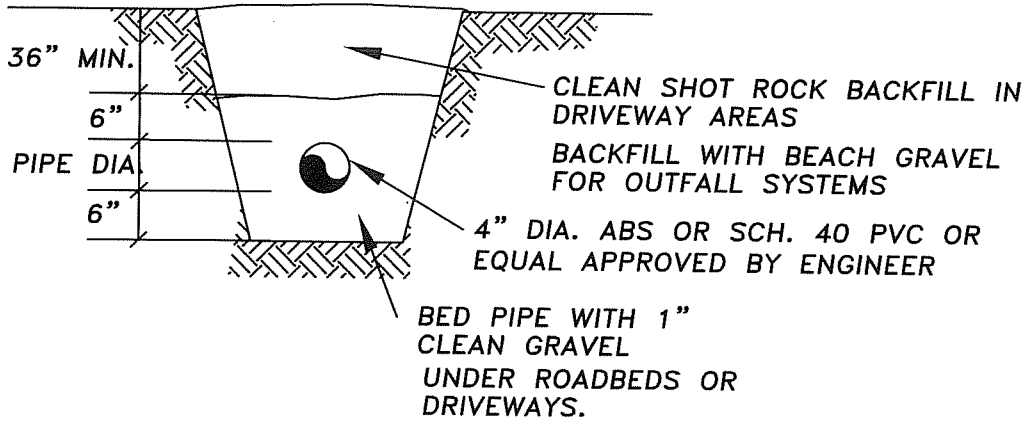
NOTE:
MINIMUM ANCHOR
WEIGHT 500 LBS



OUTFALL ANCHOR

NOT TO SCALE

EXISTING
GROUND



PIPE TRENCH SECTION IN SURF ZONE

NOT TO SCALE

FALSE ISLAND INDUSTRIAL FACILITY	
MODIFY EXISTING PERMIT TO INCORPORATE NEW COLD STORAGE FACILITY DOCK AND OUTFALL	
APPLICANT: CITY OF CRAIG P.O. BOX 725 CRAIG, AK 99921	AGENT: R&M ENGINEERING-KETCHIKAN 355 CARLANNA LAKE ROAD KETCHIKAN, AK 99901
DATE: 10/14/08 SHEET 6 OF 6	LOCATION: CITY OF CRAIG WATER BODY: KLAWOCK INLET